



High Current Ferrite Chip Inductors - MS3225LC SERIES



PART NUMBERING SYSTEM

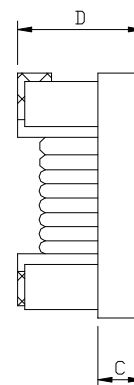
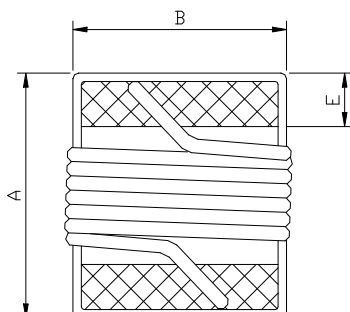
MS	—	3225LC	—	330K	—	LF
TYPE		DIMENSIONS		INDUCTANCE		LEAD FREE

FEATURES :

1. Low DC resistance & high current handling capacities , making them ideal for power supply line applications.
2. MS3225LC products conforms to the standards that are slated to be introduced under the RoHS Directive.
3. Applications for personal computers , portable telephones , hard disk drives and other electronic equipment .
4. They are available in ranging from 2012 to 3225 types .

SHAPES AND DIMENSIONS

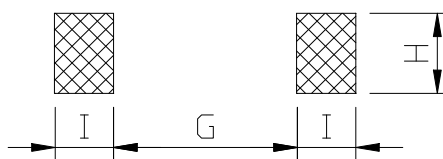
UNIT : mm



A=3.6 Max. B=2.9 Max. C=1.1 Ref. D=2.4 Max. E=0.50±0.1

RECOMMENDED PATTERNS

UNIT : mm



G=2.0 H=2.70 I=1.20



High Current Ferrite Chip Inductors - MS3225LC SERIES



SPECIFICATION TABLE

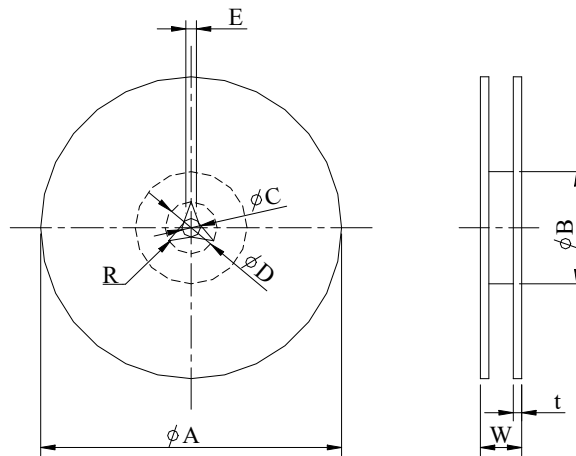
PART NUMBER	INDUCTANCE (uH)	TOLERANCE	Q. MIN.	SRF (MHz) MIN.	DCR (Ω) (max)	IDC (mA) (max)
MS3225LC-1R0□-LF	1.0 @7.96MHz	J,K,M	35@7.96MHz	340	0.125	2600
MS3225LC-1R2□-LF	1.2 @7.96MHz	J,K,M	35@7.96MHz	280	0.135	2400
MS3225LC-1R5□-LF	1.5 @7.96MHz	J,K,M	30@7.96MHz	160	0.145	2200
MS3225LC-1R8□-LF	1.8 @7.96MHz	J,K,M	30@7.96MHz	120	0.160	2000
MS3225LC-2R2□-LF	2.2 @7.96MHz	J,K,M	30@7.96MHz	100	0.170	1900
MS3225LC-2R5□-LF	2.5 @7.96MHz	J,K,M	30@7.96MHz	80	0.190	1700
MS3225LC-3R3□-LF	3.3 @7.96MHz	J,K,M	30@7.96MHz	70	0.210	1500
MS3225LC-4R7□-LF	4.7 @7.96MHz	J,K,M	28@7.96MHz	55	0.300	1300
MS3225LC-6R8□-LF	6.8 @7.96MHz	J,K,M	28@7.96MHz	45	0.370	1100
MS3225LC-100□-LF	10 @2.52MHz	J,K,M	22@2.52MHz	47	0.500	900
MS3225LC-120□-LF	12 @2.52MHz	J,K,M	22@2.52MHz	42	0.680	820
MS3225LC-150□-LF	15 @2.52MHz	J,K,M	22@2.52MHz	34	0.720	740
MS3225LC-220□-LF	22 @2.52MHz	J,K,M	22@2.52MHz	25	1.030	640
MS3225LC-330□-LF	33 @2.52MHz	J,K,M	20@2.52MHz	13	1.370	500
MS3225LC-470□-LF	47 @2.52MHz	J,K,M	22@2.52MHz	12	1.880	440
MS3225LC-680□-LF	68 @2.52MHz	J,K,M	22@2.52MHz	10	3.000	360
MS3225LC-820□-LF	82 @2.52MHz	J,K,M	22@2.52MHz	10	4.100	320
MS3225LC-101□-LF	100 @1MHz	J,K,M	15@1MHz	8	4.682	280
MS3225LC-151□-LF	150 @1MHz	J,K,M	13@1MHz	7	6.102	220
MS3225LC-181□-LF	180 @1MHz	J,K,M	13@1MHz	3	7.100	200
MS3225LC-221□-LF	220 @1MHz	J,K,M	13@1MHz	3	7.650	200
MS3225LC-331□-LF	330 @1MHz	J,K,M	13@1MHz	3	12.62	160
MS3225LC-471□-LF	470 @1MHz	J,K,M	13@1MHz	3	25.00	120
MS3225LC-681□-LF	680 @1MHz	J,K,M	13@1MHz	2	31.00	100

- Inductance and SRF are measured in HP-E4991A impedance analyzer with HP-16197A fixture.
- Inductance Tolerance: K=10% ; M=20%
- RDC is measured in Chroma 16502 mill ohm meter. (or equivalent)

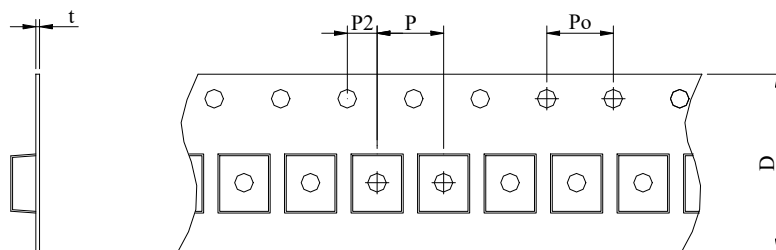
High Current Ferrite Chip Inductors - MS3225LC SERIES



PACKAGING SPECIFICATION



	A	B	C	D	E	W	t	R
T($\psi 178\text{mm}$) Reel	$\psi 180$	$\psi 60$	$\psi 13$	—	—	14.4	—	—



TYPE	Reel/pcs	P	Po	P2	t	D
MS3225LC	2000	4	4	2	1	8